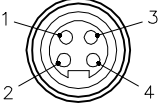


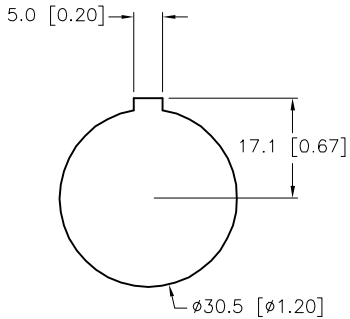
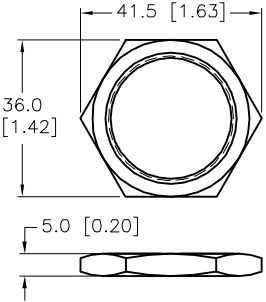
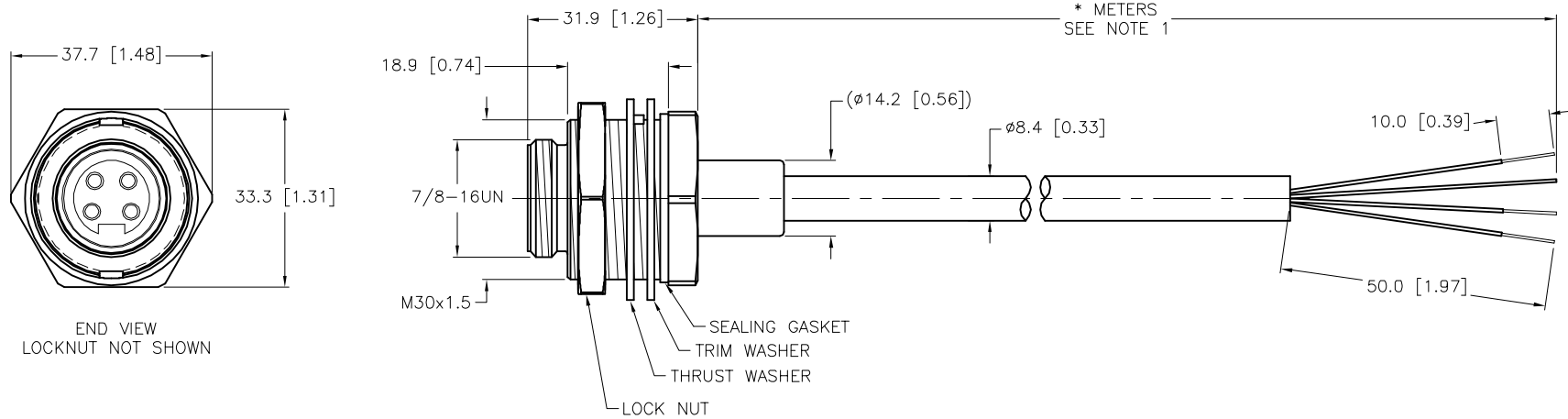


MALE END VIEW	TYPICAL PANEL CUTOUT	M30x1.5 LOCKNUT	SPECIFICATIONS																													
 <p>1 = DRAIN (SHLD) 2 = WHITE (DB) 3 = YELLOW (DG) 4 = BLUE (DA)</p>  			<table border="1"> <tr><td>CONTACT CARRIER MATERIAL</td><td>TPU</td></tr> <tr><td>MOLDED HEAD MATERIAL/COLOR</td><td>TPU/BLACK</td></tr> <tr><td>CONTACT MATERIAL/PLATING</td><td>BRASS/GOLD</td></tr> <tr><td>HOUSING MATERIAL/PLATING</td><td>BRASS/NICKEL</td></tr> <tr><td>GASKET MATERIAL</td><td>BUNA-N</td></tr> <tr><td>RATED CURRENT [A]</td><td>6.0 A</td></tr> <tr><td>RATED VOLTAGE [V]</td><td>300 V</td></tr> <tr><td>OUTER JACKET MATERIAL/COLOR</td><td>PVC/BROWN</td></tr> <tr><td>CONDUCTOR INSULATION MATERIAL</td><td>PE</td></tr> <tr><td>NUMBER OF CONDUCTORS [AWG]</td><td>3x20 AWG, 20 AWG DRAIN</td></tr> <tr><td>SHIELDING</td><td>ALUM.-POLYESTER FOIL & T-C BRAIDED</td></tr> <tr><td>TEMPERATURE RANGE</td><td>-40°C to +80°C (-40°F to +176°F)</td></tr> <tr><td>PROTECTION CLASS</td><td>NEMA 1,3,4,6P,12 & IECIP67, IP68,IP69,IP69K</td></tr> <tr><td>ACCOMMODATES WALL THICKNESS</td><td>0.050" (1.3mm) to 0.250" (6.4mm)</td></tr> </table>	CONTACT CARRIER MATERIAL	TPU	MOLDED HEAD MATERIAL/COLOR	TPU/BLACK	CONTACT MATERIAL/PLATING	BRASS/GOLD	HOUSING MATERIAL/PLATING	BRASS/NICKEL	GASKET MATERIAL	BUNA-N	RATED CURRENT [A]	6.0 A	RATED VOLTAGE [V]	300 V	OUTER JACKET MATERIAL/COLOR	PVC/BROWN	CONDUCTOR INSULATION MATERIAL	PE	NUMBER OF CONDUCTORS [AWG]	3x20 AWG, 20 AWG DRAIN	SHIELDING	ALUM.-POLYESTER FOIL & T-C BRAIDED	TEMPERATURE RANGE	-40°C to +80°C (-40°F to +176°F)	PROTECTION CLASS	NEMA 1,3,4,6P,12 & IECIP67, IP68,IP69,IP69K	ACCOMMODATES WALL THICKNESS	0.050" (1.3mm) to 0.250" (6.4mm)	
CONTACT CARRIER MATERIAL	TPU																															
MOLDED HEAD MATERIAL/COLOR	TPU/BLACK																															
CONTACT MATERIAL/PLATING	BRASS/GOLD																															
HOUSING MATERIAL/PLATING	BRASS/NICKEL																															
GASKET MATERIAL	BUNA-N																															
RATED CURRENT [A]	6.0 A																															
RATED VOLTAGE [V]	300 V																															
OUTER JACKET MATERIAL/COLOR	PVC/BROWN																															
CONDUCTOR INSULATION MATERIAL	PE																															
NUMBER OF CONDUCTORS [AWG]	3x20 AWG, 20 AWG DRAIN																															
SHIELDING	ALUM.-POLYESTER FOIL & T-C BRAIDED																															
TEMPERATURE RANGE	-40°C to +80°C (-40°F to +176°F)																															
PROTECTION CLASS	NEMA 1,3,4,6P,12 & IECIP67, IP68,IP69,IP69K																															
ACCOMMODATES WALL THICKNESS	0.050" (1.3mm) to 0.250" (6.4mm)																															

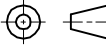


CABLE LENGTH	TOLERANCE*
ALL LENGTHS	+ 4% (OR 50mm) OF LENGTH - 0% (OR 0mm) OF LENGTH WHICHEVER IS GREATER
STRIP LENGTH	TOLERANCE*
0-7mm	±0.5mm
8-29mm	±1.0mm
30-49mm	±2.0mm
50-69mm	±3.0mm
70-100mm	±4.0mm
OVER 100mm	±5.0mm

* UNLESS OTHERWISE SPECIFIED

NOTES:
1. "*" INDICATES CABLE LENGTH IN METERS. CONTACT TURCK TO ORDER SPECIFIC LENGTHS.

SOURCE DRAWING - FOR REFERENCE ONLY

RELATED DOCUMENTS 1. 2. 3. 4.	3RD ANGLE PROJECTION 	THIS DRAWING IS CONFIDENTIAL AND THE PROPERTY OF TURCK INC. USE OF THIS DOCUMENT WITHOUT WRITTEN PERMISSION IS PROHIBITED.	3000 CAMPUS DRIVE MINNEAPOLIS, MN 55441 1-800-544-7769 (763) 553-7300 (763) 553-0708 fax www.turck.us
MATERIAL FINISH	ALL DIMENSIONS DISPLAYED ON THIS DRAWING ARE FOR REFERENCE ONLY CONTACT TURCK FOR MORE INFORMATION	DRFT RDS DATE 05/25/05 APVD SCALE 1=1.3 UNIT OF MEASUREMENT MILLIMETER [INCH] DO NOT SCALE THIS DRAWING	DESCRIPTION RSFP 430-*M IDENTIFICATION NO. REV G FILE: 777006995 SHEET 1 OF 1

G	UPDATE PROTECTION CLASS	CBM	04/13/21	76628
REV	DESCRIPTION	BY	DATE	ECO NO.